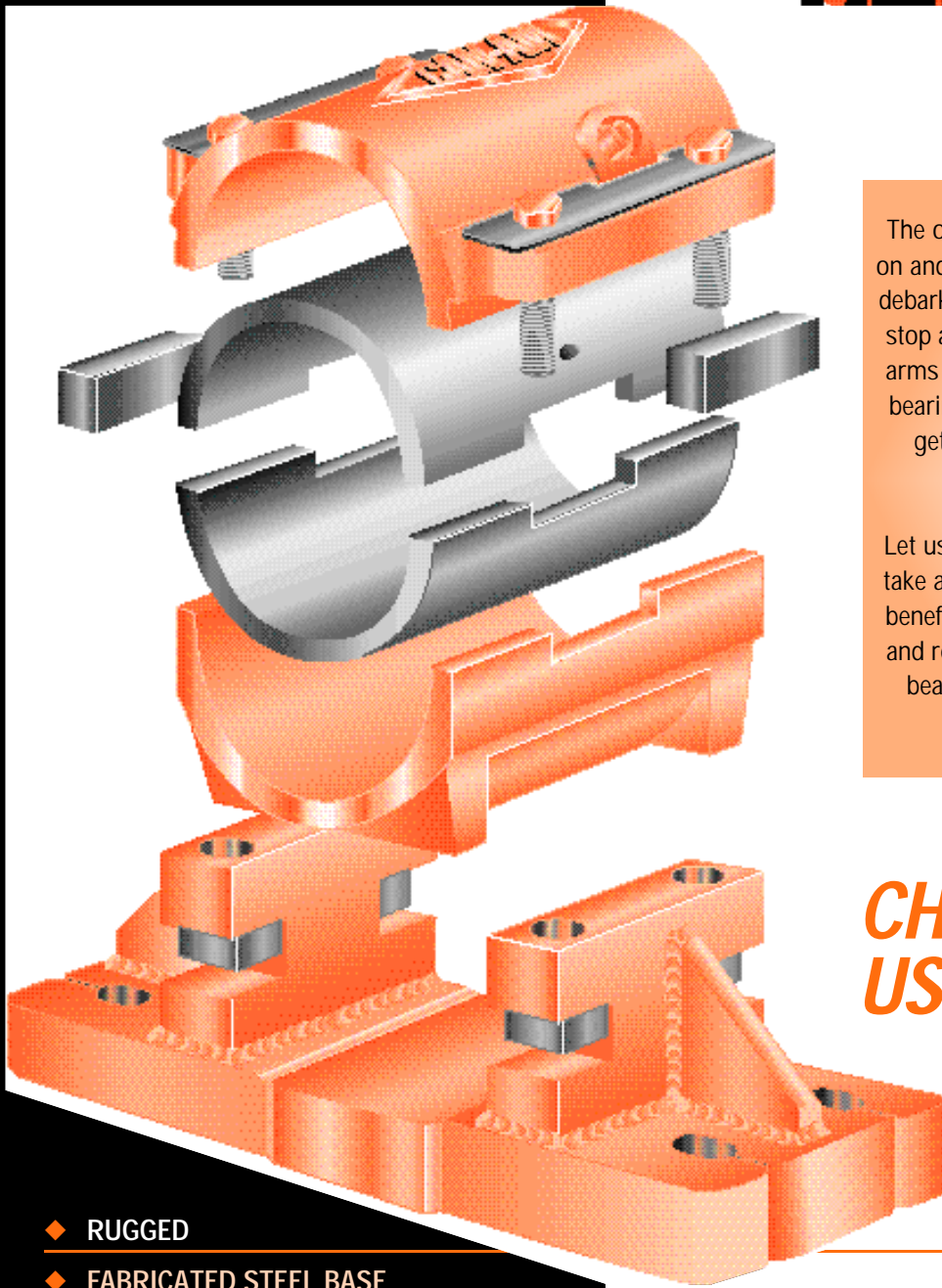


## 2500 SERIES BEARINGS

# CAN-AM



The only bearing to use on and around log decks, debarkers, roll cases, log stop and turners, kicker arms or any area where bearings are difficult to get at, lubricate or change out.

Let us show you how to take advantage of all the benefits of our bearings and reduce your overall bearing costs at the same time.

## ***CHALLENGE US TODAY!***

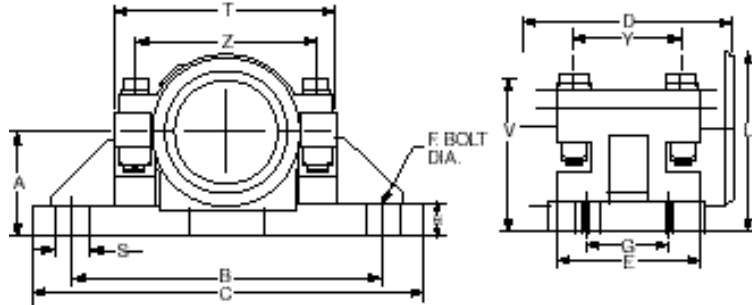
- ◆ RUGGED
- ◆ FABRICATED STEEL BASE
- ◆ 7-PIECE – LOW PROFILE
- ◆ VERSATILE AND ECONOMICAL
- ◆ REPLACEABLE CARTRIDGE INSERT
- ◆ DRAMATICALLY REDUCED DOWNTIME

# Want to Try A Different Bushing Material? Go Ahead...

...Our base will accept any cartridge of the same size.

## AVAILABLE BUSHING MATERIALS:

- BABBITT • URETHANE (REDCO 750 XL®)
- BRONZE • UHMW
- ZINC ALUMINIUM (ZA 12)



## 2-2500 SERIES (4 BOLT.)

	2 <sup>7</sup> / <sub>16</sub>	2 <sup>15</sup> / <sub>16</sub>	3 <sup>7</sup> / <sub>16</sub>	3 <sup>15</sup> / <sub>16</sub>	4 <sup>7</sup> / <sub>16</sub>	4 <sup>15</sup> / <sub>16</sub>	5 <sup>7</sup> / <sub>16</sub> -5 <sup>15</sup> / <sub>16</sub>	6 <sup>7</sup> / <sub>16</sub> -6 <sup>15</sup> / <sub>16</sub>	7 <sup>7</sup> / <sub>16</sub> -7 <sup>15</sup> / <sub>16</sub> -8
A	2 <sup>3</sup> / <sub>4</sub>	3 <sup>1</sup> / <sub>4</sub>	3 <sup>1</sup> / <sub>2</sub>	3 <sup>3</sup> / <sub>4</sub>	4 <sup>1</sup> / <sub>8</sub>	4 <sup>1</sup> / <sub>2</sub>	5 <sup>1</sup> / <sub>2</sub>	6 <sup>1</sup> / <sub>2</sub>	7
B	8	8 <sup>3</sup> / <sub>4</sub>	10 <sup>1</sup> / <sub>2</sub>	12	13 <sup>1</sup> / <sub>2</sub>	15	16 <sup>1</sup> / <sub>2</sub>	19	21 <sup>1</sup> / <sub>2</sub>
C	10 <sup>1</sup> / <sub>4</sub>	11	13	14 <sup>3</sup> / <sub>4</sub>	16 <sup>1</sup> / <sub>2</sub>	18	20 <sup>1</sup> / <sub>2</sub>	23	26
D	5	6	7	8	9	10	12	14	16
E	3 <sup>3</sup> / <sub>4</sub>	4 <sup>1</sup> / <sub>4</sub>	4 <sup>5</sup> / <sub>8</sub>	5 <sup>1</sup> / <sub>4</sub>	6 <sup>1</sup> / <sub>4</sub>	7	8 <sup>1</sup> / <sub>2</sub>	10	11
F	5 <sup>8</sup> / <sub>16</sub>	5 <sup>8</sup> / <sub>16</sub>	3 <sup>4</sup> / <sub>8</sub>	3 <sup>4</sup> / <sub>8</sub>	7 <sup>8</sup> / <sub>16</sub>	7 <sup>8</sup> / <sub>16</sub>	1 <sup>8</sup> / <sub>16</sub>	1 <sup>1</sup> / <sub>4</sub>	1 <sup>1</sup> / <sub>4</sub>
G	2	2 <sup>1</sup> / <sub>2</sub>	2 <sup>3</sup> / <sub>4</sub>	3	3 <sup>1</sup> / <sub>2</sub>	4	5	6	6 <sup>3</sup> / <sub>4</sub>
H	1	1	1	1 <sup>1</sup> / <sub>4</sub>	1 <sup>1</sup> / <sub>4</sub>	1 <sup>1</sup> / <sub>4</sub>	1 <sup>1</sup> / <sub>2</sub>	2	2
L	5	5 <sup>5</sup> / <sub>8</sub>	6 <sup>3</sup> / <sub>8</sub>	6 <sup>7</sup> / <sub>8</sub>	7 <sup>5</sup> / <sub>8</sub>	8 <sup>1</sup> / <sub>2</sub>	10	11 <sup>1</sup> / <sub>2</sub>	13
S	1	1	1 <sup>1</sup> / <sub>4</sub>	1 <sup>3</sup> / <sub>8</sub>	1 <sup>1</sup> / <sub>2</sub>	1 <sup>5</sup> / <sub>8</sub>	1 <sup>7</sup> / <sub>8</sub>	2	2 <sup>1</sup> / <sub>4</sub>
T	5 <sup>5</sup> / <sub>8</sub>	6	7 <sup>1</sup> / <sub>4</sub>	7 <sup>5</sup> / <sub>8</sub>	8 <sup>7</sup> / <sub>8</sub>	9 <sup>1</sup> / <sub>2</sub>	12	14 <sup>5</sup> / <sub>8</sub>	17
V	4 <sup>3</sup> / <sub>8</sub>	5	5 <sup>1</sup> / <sub>4</sub>	5 <sup>5</sup> / <sub>8</sub>	6	6 <sup>1</sup> / <sub>2</sub>	7 <sup>5</sup> / <sub>8</sub>	8 <sup>3</sup> / <sub>4</sub>	9 <sup>3</sup> / <sub>4</sub>
Y	2 <sup>3</sup> / <sub>4</sub>	3 <sup>3</sup> / <sub>16</sub>	3 <sup>5</sup> / <sub>8</sub>	4	4 <sup>7</sup> / <sub>8</sub>	5 <sup>1</sup> / <sub>2</sub>	6 <sup>3</sup> / <sub>4</sub>	7 <sup>5</sup> / <sub>8</sub>	8 <sup>1</sup> / <sub>2</sub>
Z	4 <sup>3</sup> / <sub>4</sub>	5	6	6 <sup>1</sup> / <sub>2</sub>	7 <sup>1</sup> / <sub>2</sub>	8	10 <sup>1</sup> / <sub>8</sub>	12	14 <sup>5</sup> / <sub>8</sub>
* WT	25	35	46	64	90	115	200	300	480

\* ALL WEIGHTS ARE APPROXIMATE DEPENDING ON BUSHING MATERIAL.

## 2500 SERIES (2 BOLT.)

	2 <sup>7</sup> / <sub>16</sub>	2 <sup>15</sup> / <sub>16</sub>
A	2 <sup>3</sup> / <sub>4</sub>	3 <sup>1</sup> / <sub>4</sub>
B	8	9 <sup>1</sup> / <sub>2</sub>
C	10 <sup>1</sup> / <sub>4</sub>	12 <sup>1</sup> / <sub>4</sub>
D	5	6
E	3 <sup>3</sup> / <sub>4</sub>	4 <sup>1</sup> / <sub>4</sub>
F	3 <sup>4</sup> / <sub>8</sub>	7 <sup>8</sup> / <sub>16</sub>
G	—	—
H	1	1
L	5	5 <sup>5</sup> / <sub>8</sub>
S	1 <sup>1</sup> / <sub>8</sub>	1 <sup>3</sup> / <sub>8</sub>
T	5 <sup>5</sup> / <sub>8</sub>	6
V	4 <sup>3</sup> / <sub>8</sub>	5
Y	2 <sup>3</sup> / <sub>4</sub>	3 <sup>3</sup> / <sub>16</sub>
Z	4 <sup>3</sup> / <sub>4</sub>	5
* WT	25	35

## Canada CAM CHAIN CO. LTD

**HEAD OFFICE CANADA**  
8355 128th Street  
Surrey, BC V3W 4G1  
Phone (604) 599-1522  
Fax (604) 599-4115  
Shipping (604) 594-5811  
Toll Free 1-800-663-3136

**BRITISH COLUMBIA BRANCH**  
9661 Penn Road  
Prince George, BC V2N 5T6  
Phone (250) 562-7727  
Fax (250) 562-9603  
Toll Free 1-877-399-3136

**ALBERTA BRANCH**  
Unit 5 - 2002 8th Street  
Nisku, Alberta T9E 7Y8  
Phone (780) 955-3993  
Fax (780) 955-3994  
Toll Free 1-800-832-7556

**ONTARIO BRANCH**  
5050 Dufferin Street  
North York, Ontario M3H 5T5  
Phone (416) 663-2626  
Fax (416) 663-0774  
Toll Free 1-800-265-3582

## U.S.A. CAN AM CHAINS

**HEAD OFFICE USA**  
15151 S.E. Minuteman  
Way P.O. Box 453  
Clackamas, OR 97015  
Phone (503) 657-1158  
Fax (503) 656-7549  
Toll Free 1-800-547-6274

**ALABASTER BRANCH**  
600 Galloway Circle  
Alabaster, AL 35007  
Phone (205) 942-2617  
Fax (205) 942-4975  
Toll Free 1-800-824-0674

**SHREVEPORT BRANCH**  
2095 N. Hearne Ave.  
Shreveport, LA 71107  
Phone (318) 227-8006  
Fax (318) 424-7751  
Toll Free 1-800-321-8846

**ROCKY MOUNT BRANCH**  
7010 Stanley Park Dr.  
Rocky Mount, NC 27804  
Phone (252) 451-0636  
Fax (252) 451-0833  
Toll Free 1-888-856-0744